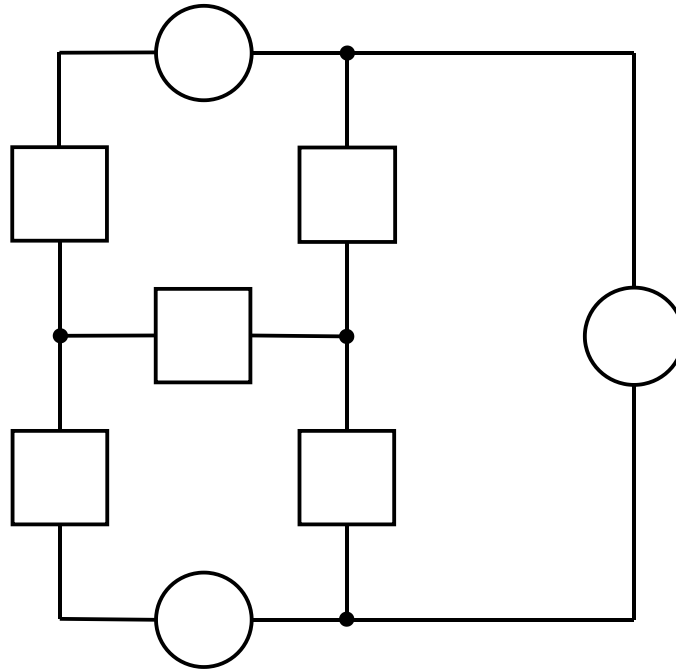


EE 2240  
**Problem #03**



Determine each of the following:

a. The number of nodes.

b. The number of branches.

